



TERRORIST ATTACKS ON RAILWAYS : The Indian Experience

Presentation by –

**ANOOB SRIVASTAVA
DIG / ADMINISTRATION
RAILWAY PROTECTION FORCE
INDIAN RAILWAY**

SALIENT FEATURES OF INDIAN RAILWAYS

- **World's largest Railway under single management**
- **63,122 route kilometers with 6,909 Stations**
- **Carries about 17 million passengers a day**
- **Lifts about two million tonnes freight a day**
- **Employs 14,00,000 staff**



TRAINS RUNNING PER DAY-9415

Trains	BG	MG	Total
Mail , Express and passenger	1,838 (Pairs)	108 (Pairs)	1,946 (Pairs)
Suburban	3,973	43	4,016
Others	2,869	584	3,453
Total	10,518	843	11,361

SECURITY SET-UP OVER INDIAN RAILWAYS

Two-tier security system

- ❖ State Police (provided by State Governments)
- ❖ RPF – A Central Government Security Agency.

RESPONSIBILITY OF SECURITY AGENCIES

STATE POLICE

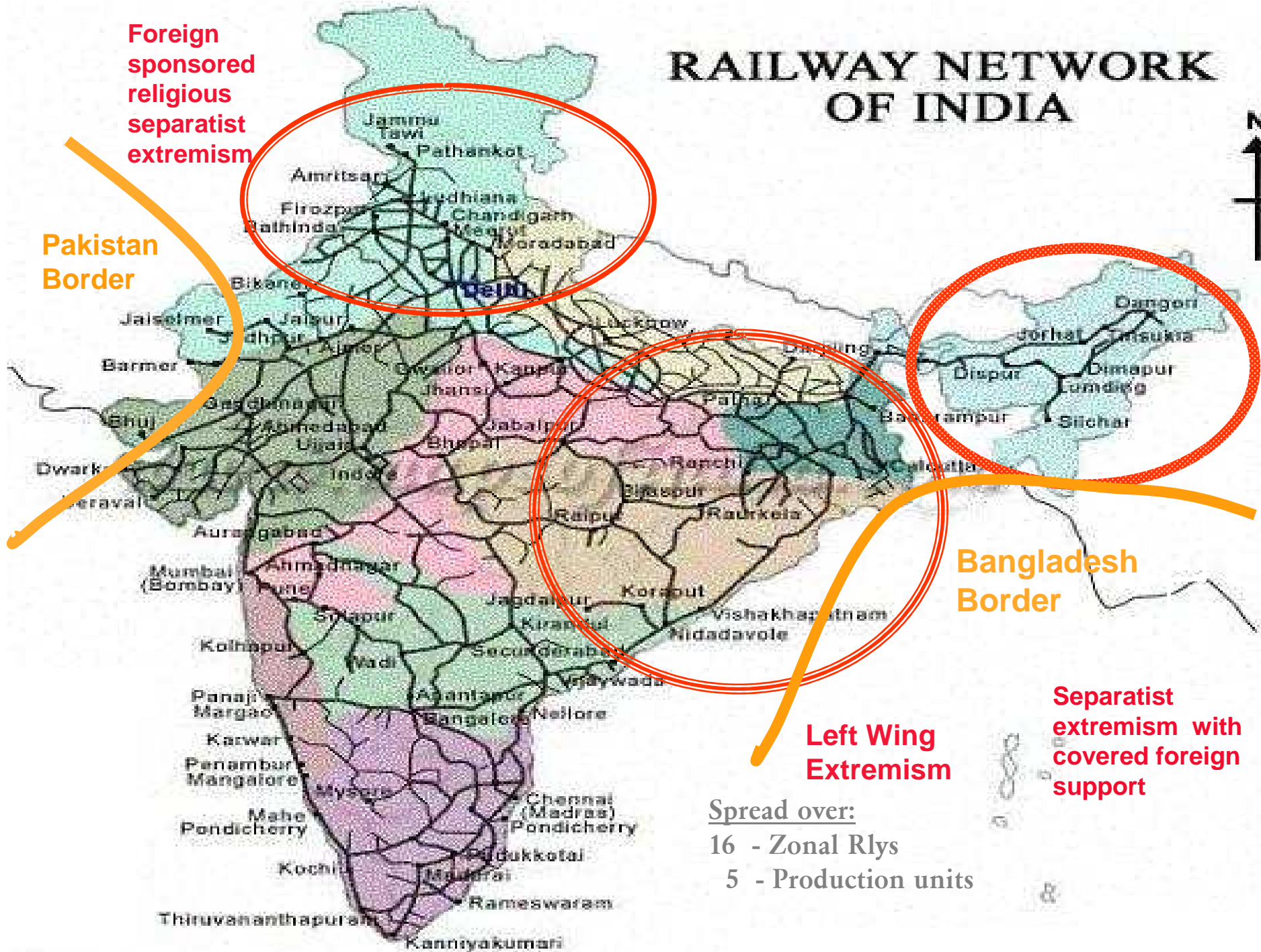
- Law and order problems on Railways.
- Prevention and detection of Passenger related crimes.
- Security of Railway tracks and bridges

RPF

- Security of Railway Property, Passengers, Passenger area and matters connected therewith.

MAJOR
TERRORIST ATTACKS
ON INDIAN
RAILWAYS

RAILWAY NETWORK OF INDIA



Foreign sponsored religious separatist extremism

Pakistan Border

Bangladesh Border

Left Wing Extremism

Separatist extremism with covered foreign support

Spread over:

16 - Zonal Rlys

5 - Production units

MILITANT ATTACKS ON INDIAN RAILWAY SYSTEM

YEAR	Separatist Groups	N.E. Insurgent	Left Wing Extremists	Total
2001	--	13	13	26
2002	--	09	13	22
2003	--	15	25	40
2004	02	17	29	48
2005	01	21	10	32
2006	03	31	42	76
2007	01	25	52	78
2008	02	08	08	18

MAJOR TERROR ATTACKS ON INDIAN RAILWAYS



- **Brahmaputra Mail bombing** -1996-killed 33
- **Lehra Khanna Train Blast** - 1997-killed 33
- **New Jalpaigudi Station Blast** - 1999- killed 09
- **Jammu Station bombing** - 2000- Killed 05
- **Kurnool Train crash** - 2002-killed 20



- **Rafiganj Rail disaster** - 2002-killed 130
- **Jammu Station bombing** - 2004 –killed 04
- **Jaunpur Train bombing** - 2005- killed 14
- **Ahmedabad Railway station** - 2006-killed 25
- **Ambush on RPSF escorting staff in Assam.** – 2006- killed 11,



- **Varanasi Blasts** - 2006-killed 15
- **Bombay Suburb Train Blasts** - 2006- killed 188
- **Haldibari Train Blast** - 2006 – killed 10
- **Samjhauta Exp Blast** - 2007- killed 68
- **CSTM Station** - 2008- killed 57

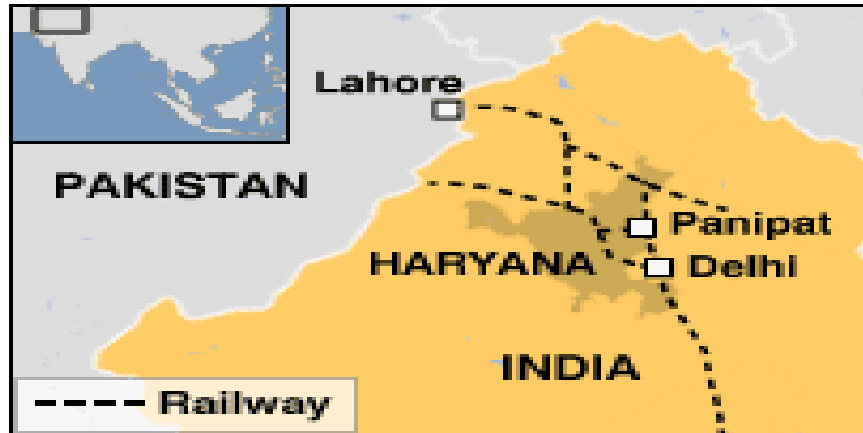


Blast in Samjhauta Express (18-02-2007)



Near – Panipat (Haryana) Contd..

Blast in Samjhauta Express (18-02-2007)



SAMJHAUTA ATARI LINK EXPRESS BLAST -

- Blast in the night of 18th February 2007.
- 68 People killed, 44 could be identified (36 Pak nationals and 08 Indians including 03 RPF personnel on escort duty.
- RDX Bomb kept in general coach
- Suspects:- A terrorist group

CHHATRAPATI SHIVAJI TERMINUS STATION



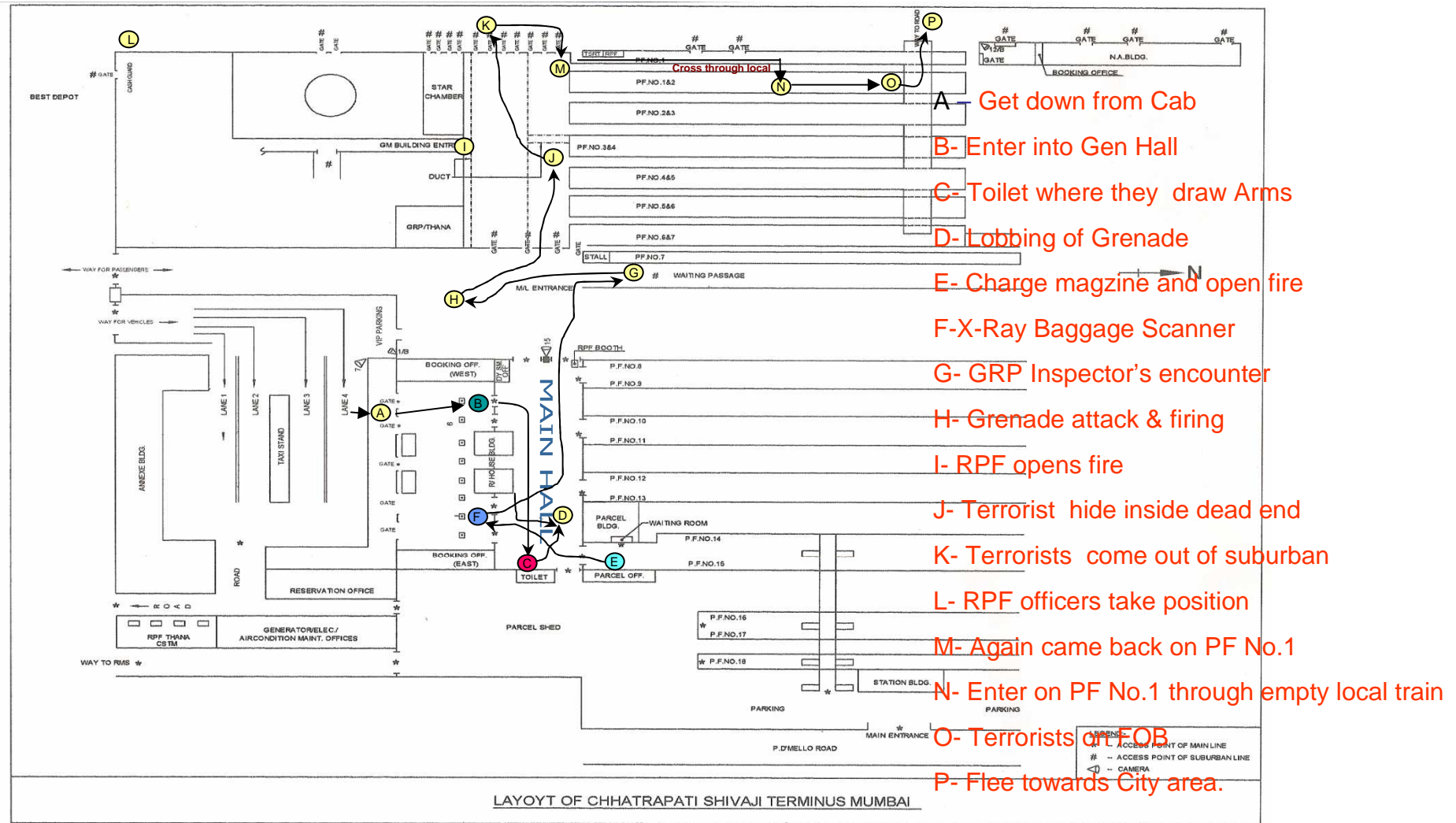
THE ATTACK on 26/11/2008

- ❖ Two Fidayeens entered the Main Line Hall in the guise of commuters with large sling bags at about 21.56 hrs .**
- ❖ Entered into the toilet and took out their AK-47 and hand Grenades and returned to General Hall where they lobbed the grenades and started indiscriminate firing in all direction.**
- ❖ They took a round of the Hall and proceeded towards Main Line Booking Office and fired towards Car Parking area and Annexe Building in front of CST Station .**
- ❖ They returned to Main Line Hall and proceeded towards Suburban Line while firing at Offices, Booking Counters and Announcement Room .**
- ❖ Finally the terrorists moved out of suburban line and arrived at subway gate in front of BMC where they faced encounter by RPF.**

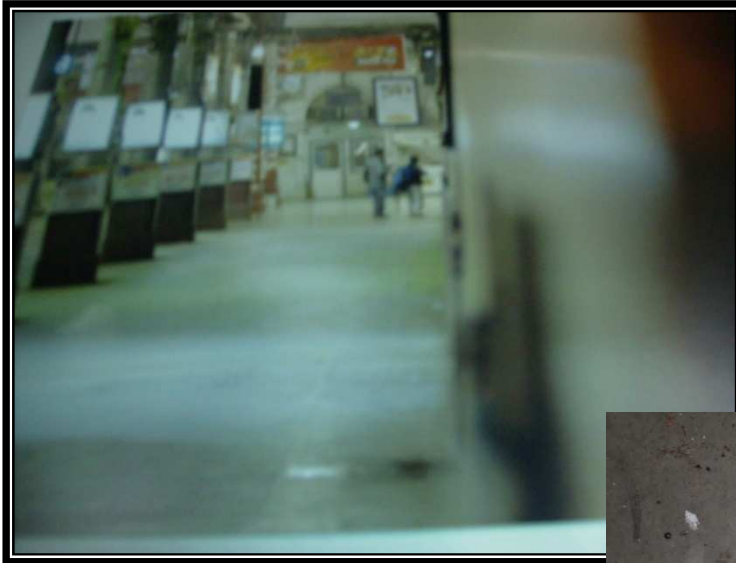
RETALIATION BY SECURITY FORCES

- ❖ One GRP Inspector tries to encounter but gets killed.
- ❖ When they reach platform No.3, one RPF Constable fires one round and the terrorists enter into PF No.3 Buffer end apprehending danger.
- ❖ Then the terrorists emerge with burst fire and go out of station building in BMC side. Here 3 RPF Officers fire 48 rounds and the terrorist retreat to PF No.1 and look for escape route. They enter into a train and come to PF No.2-3 and climb up the FOB in Kalyan end and get down behind TOI Building and move towards Cama Hospital. GRP Personnels fire 14 rounds.
- ❖ 57 people killed and 97 injured in CST Railway premises including 01 GRP, 01 RPF, 01 Home Guard personnel and 3 Railway Employees.

MOVEMENT OF TERRORISTS



TERRORIST STRIKE AT CST STATION ON 26/11/2008 (A FEW PICTURES)



RPF IN ACTION







2000-11-26 WED P01P05% 22:11:07
2000-11-20 FRI 19:02:45 42
2000-11-26 22:11:00



2000-11-26 WED P01P85%

22:11:06

2000-11-20 FRI

19:02:44 42

2000-11-26 22:11:05

THE CARNAGE



MAIN LINE WAITING HALL



ABADONED BELONGINGS OF THE VICTIMS

**COUNTER-TERRORIST
MEASURES ADOPTED
BY THE INDIAN
RAILWAYS**

- **LONG TERM MEASURES:**

- Coordinated policy on rail security, encompassing freights, passenger traffic.
- Thorough risk/threat analysis of the Railway Infrastructure.
- Emergency Planning and Management.
- Effective Intelligence machinery.
- Proper coordination between the intelligence and security agencies.
- Effective Police Patrol and surveillance.
- Change in the Architecture/Engineering Design of the Railway Stations and the Railway coaches to minimise terrorist attack risks.
- Training of personnel and passengers.
- Enforcement of 'Integrated Security System'.

- **SHORT TERM MEASURES:**

- Deployment of additional Armed Police and RPF personnel in the Railway premises.
- Escorting of trains by Armed personnel.
- Improved physical security in the Railway Stations.
- Use of sniffer Dogs.
- Use of scientific methods for detecting and preventing acts of sabotage and disposal of Explosives etc.
- Reviewing and strengthening of basic security arrangements like installation of CCTVs, DFMDs, HHMDs.
- Plugging of unauthorised entry/exit points.
- Intensive publicity and public awareness campaign.
- Close coordination with other security agencies/Intelligence agencies.

RECENT INITIATIVES

- RPF Mitra Yojna – Community policing concept on Railways.
- Involving Railway passengers/public who have been helped by RPF at some point of time in controlling criminal activities over Indian Railways.
- Using the above persons as “Anti-Terrorism Cooperator” wherein they will inform about suspicious objects or persons to RPF/GRP/Railway staff.
- Utilizing them for bringing improvement in discipline and conduct of RPF personnel by obtaining genuine feedbacks about their functioning in the field.
- Utilizing them in building image of the RPF as well as the Railways.
- Willing persons are made part of the Notification system and issued with an Identity Card.

RECENT INITIATIVES - INTEGRATED SECURITY SYSTEM

Proposed “Integrated Security System” will include:

- IP based CCTV surveillance system with minimum 30 days’ recording facility and inbuilt intelligent softwares.
- Access control
- Personal and baggage screening system
- Explosive detection and disposal system.

RECENT INITIATIVES - TRAINING

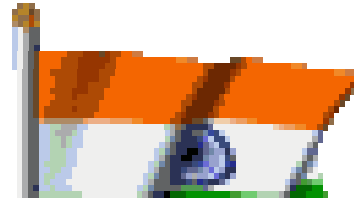
- Select Force Personnel are being sent for Commando training and they will be kept at strategic locations for immediate emergency response.
- RPF officers are being sent abroad to study Security System of Railway set up of the countries facing similar challenge.

CONCLUSION



- ✎ United we can fight this hydra headed monster more effectively and eradicate it from the global map.
- ✎ Looking for international cooperation in training and security infrastructure





THANK YOU